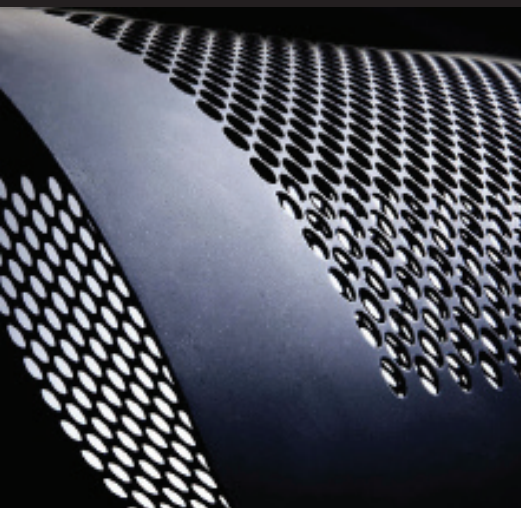




FLOWTECH SERIES - GAS RADIANT HEATING

The Flowtech Series - Gas Radiant Heaters are architectural in design, compact, reliable & will perform to their design intent even in the harshest outdoor environments.

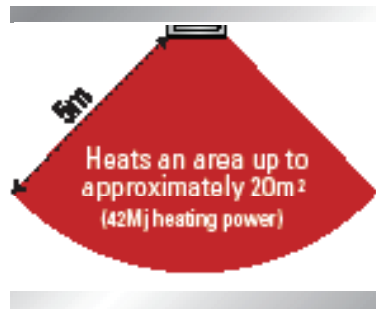
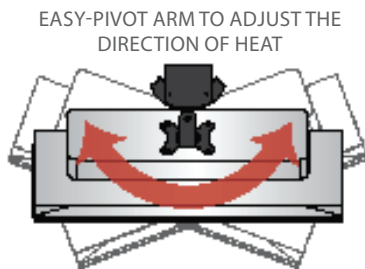
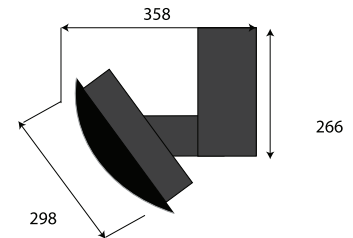
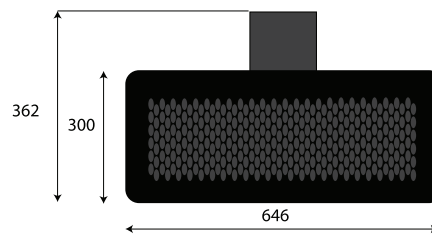
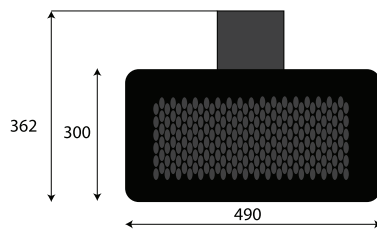
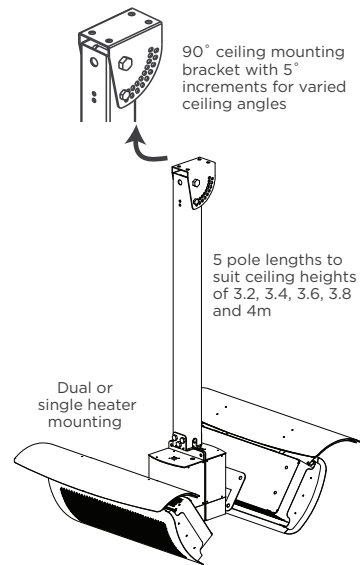
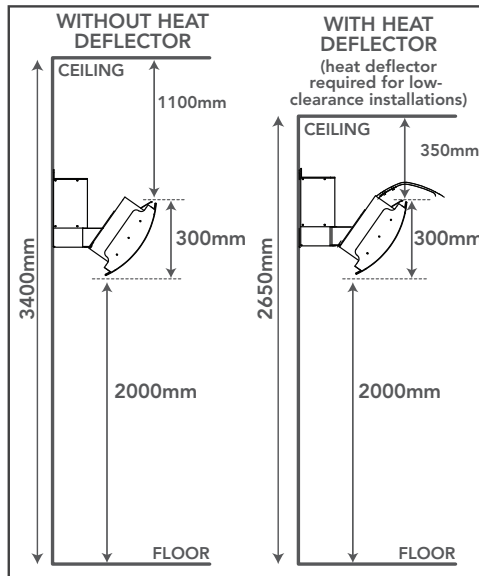
- The Flowtech Series Gas Radiant Heating System has been designed utilising a high quality brushed stainless steel black ceramic finish.
- Design incorporates a bi-directional easy-pivot arm that offers up to 25 degrees rotation. Wall or ceiling mounting & heat deflectors for low clearance applications.
- Robust stainless steel outer case with a sleek design & incorporating a curved black perforated stainless steel cover, ensuring burners are protected whilst in use.
- Remote electronic ignition integrated "Flame Failure Safety Shut-Off Control" turns the heater off immediately when wind speeds are above 15km/hr.
- LPG or natural gas input to choose from - 300 Series (25Mj) is a three tile unit and the 500 Series (42Mj) is a five tile unit. Selection dependant on size of area.
- Designed & engineered in Australia, controls are enclosed in a weatherproof casing (IP44 rated & C-Tick electrical approval). AGA gas approval (No. 7289).



FLOWTECH SERIES - GAS RADIANT HEATING

Please note illustrations are not to scale. All measurements are in millimetres. Please contact your Tecnic Awnings representative for additional information.

RECOMMENDED CLEARANCES



PART NUMBER	LPG: 2620340	2620330
	Natural Gas: 2620341	2620331
HEATING TILES	5	3
HEAT OUTPUT (ON LPG AND NG)	42Mj	25Mj
APPROXIMATE AREA HEATED (M ²)	up to 20m ²	up to 12m ²
GAS CONNECTION	3/8" SAE	3/8" SAE
ELECTRICAL CONNECTION	240 Volt, 3-pin insulated plug	240 Volt, 3-pin insulated plug
DIMENSION	646 x 464 x 428mm	490 x 464 x 428mm
MINIMUM DISTANCE TO COMBUSTIBLE MATERIALS	Above (to ceiling): 1100mm Sides: 1100mm	Above (to ceiling): 1100mm Sides: 1100mm
MOUNTING HEIGHT REQUIREMENT TO GROUND	2000mm	2000mm [^]
WEIGHT (KG)	18kg	14kg

*Must only be installed by a licensed technician ^ 2500mm or may be lower depending on state technical regulations