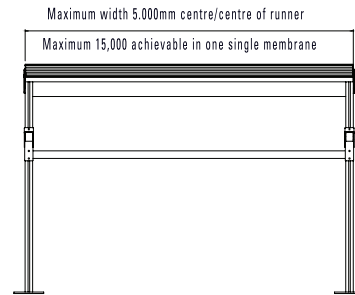
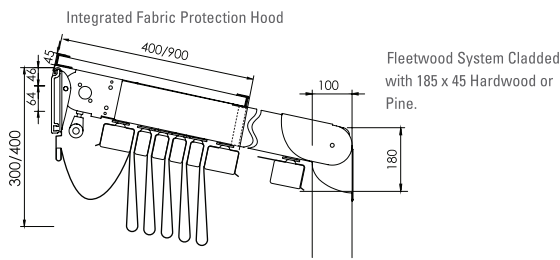
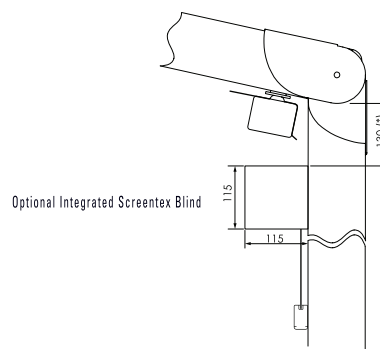
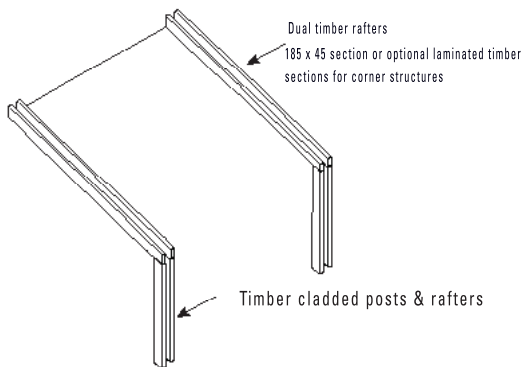


ALUTECNIC SERIES - FLEETWOOD RETRACTABLE ROOF

Please note illustrations are not to scale. All measurements are in millimetres. Please contact your Tecnic Awnings representative for additional information.



Contemporary Fleetwood support structure



SIZES	
WIDTH & PROJECTION	Max. width 15m - Max projection 12m
OPERATION	
TYPE	Motorised or Manual
HARDWARE	
MATERIAL	All components made from non-corrosive materials, including 316 stainless steel connectors & bolts. 6061 grade extruded aluminium support frame (available in over 50 colours)
FABRIC OPTIONS	
	Reinforced high-tensile polyester core PVC (Preconstraint Ferrari 502)
	Optional Soltis 86 or 92 reinforced high-tensile polyester core sunscreens
CONTROL OPTIONS	
	Integrated lighting modules
	Integrated electric radiant heat panels
	Integrated self zipping motorised blinds & curtains
	Integrated guttering system